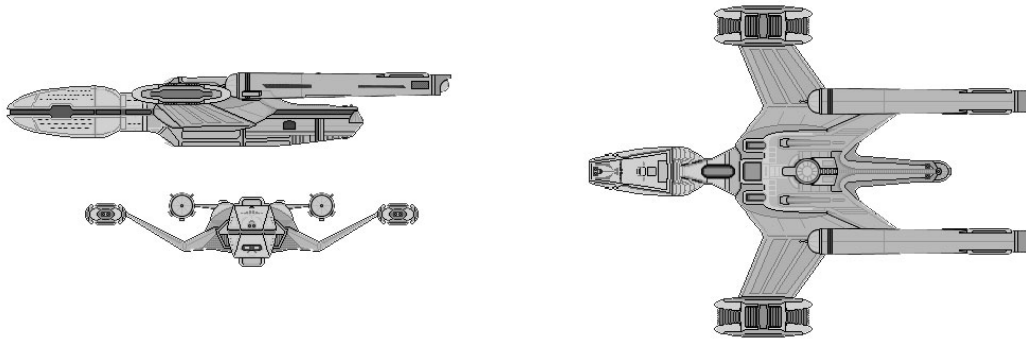


SHRAN CLASS VIII DESTROYER



Construction Data:

<i>Model Numbers</i> —	Mk I	Mk II	Mk III
<i>Ship Class</i> —	VIII	VIII	VIII
<i>Date Entering Service</i> —	2335-2369	2273-2336	2335-2376
<i>Number Constructed</i> —	25	35	Refit

Hull Data:

<i>Superstructure Points</i> —	20	23	24
<i>Damage Chart</i> —	C	C	C
<i>Size:</i>			
Length —	150.3 m	150.3 m	150.3 m
Width —	185.2 m	185.2 m	185.2 m
Height —	48.3 m	48.3 m	48.3 m
Displacement —	118,299 mt	119,963 mt	119,524 mt
<i>Cargo:</i>			
Cargo Units —	177 SCU	177 SCU	177 SCU
Cargo Capacity —	8,850 mt	8,850 mt	8,850 mt
Landing Capacity —	None	None	None

Equipment Data:

<i>Control Computer Type</i> —	AMC-5	AMC-7	AMC-16
<i>Transporters:</i>			
standard 6-person —	2	2	2
emergency 24-person —	4	4	4
cargo —	1	1	1

Other Data:

<i>Crew</i> —	204	204	216
<i>Passengers</i> —	10	10	10
<i>Shuttlecraft</i> —	2	2	2

Engines And Power Data:

<i>Total Power Units Available</i> —	39	42	45
<i>Movement Point Ratio</i> —	2/1	2/1	2/1
<i>Warp Engine Type</i> —	AWE-2	AWF-2	AWF-2
Number —	2	2	2
Power Units Available —	12 ea.	15 ea.	15 ea.
Stress Chart —	F/J	G/H	G/H
Maximum Safe Cruising Speed —	Warp 7	Warp 7	Warp 8
Emergency Speed —	Warp 9	Warp 9	Warp 9
<i>Impulse Engine Type</i> —	AIC-2	AIE-1	AIC-2
Power Units Available —	15	12	15

Weapons And Firing Data:

<i>Beam Weapon Type</i> —	AH-3	AH-7	AH-11
Number —	7	7	7
Firing Arcs —	2 f/p, 2 f, 2 f/s, 1 a	2 f/p, 2 f, 2 f/s, 1 a	2 f/p, 2 f, 2 f/s, 1 a
Firing Chart —	S	Y	W
Maximum Power —	3	5	6
Damage Modifiers —			
+3	(1-6)	(-)	(1-15)
+2	(7-12)	(1-12)	(16-18)
+1	(13-16)	(13-24)	(19-20)
<i>Missile Weapon Type</i> —	AP-2	AP-5	AP-6
Number —	2	2	2
Firing Arcs —	2 f	2 f	2 f
Firing Chart —	K	S	S
Power To Arm —	1	1	1
Damage —	10	15	30

Shield Data:

<i>Deflector Shield Type</i> —	ASD	ASI	ASH
Shield Point Ratio —	1/2	1/3	1/3
Maximum Shield Power —	15	16	18

Combat Efficiency:

<i>D</i> —	106.6	145.4	157.3
<i>WDF</i> —	31.5	57.8	84.3



Disposition:

The following list of *Seltra* Class cruiser shows their hull numbers, name, model designation, date entering service and current disposition. The disposition is represented by the letter codes given here and is followed by the date of occurrence, if known.

I	Inactive - Reserve Fleet
D	Destroyed by hostile action of natural disaster
Sc	Scrapped
S	Sold
C	Captured
R2	Refit to Mk II
R3	Refit to Mk III

AGV-16-01	Shran	Mk I	B 2256, R2 2278, I 2295	AGV-16-23	Thelrerh	Mk I	B 2269, R2 2284, I 2303
AGV-16-02	Avaohless	Mk I	B 2256, R2 2280, S 2295	AGV-16-24	Shillerh	Mk I	B 2270, R2 2278, I 2298
AGV-16-03	Otelith	Mk I	B 2256, R2 2281, S 2299	AGV-16-25	Throssiass	Mk I	B 2270, R2 2284, I 2299
AGV-16-04	Viannis	Mk I	B 2256, R2 2274, I 2292	AGV-16-26	Zhyrin	Mk II	B 2273, I 2290
AGV-16-05	Zettan	Mk I	B 2257, D 2267	AGV-16-27	Ishrys	Mk II	B 2273, I 2290
AGV-16-06	Shriliav	Mk I	B 2257, R2 2278, I 2297	AGV-16-28	Tethian	Mk II	B 2274, I 2292
AGV-16-07	Shiaqar	Mk I	B 2257, R2 2281, S 2300	AGV-16-29	Othrosse	Mk II	B 2275, I 2292
AGV-16-08	Taarak	Mk I	B 2257, R2 2282, I 2299	AGV-16-30	Qiasral	Mk II	B 2275, I 2294
AGV-16-09	Qylnis	Mk I	B 2258, R2 2275, I 2292	AGV-16-31	Shylirh	Mk II	B 2276, I 2295
AGV-16-10	Ishriarhan	Mk I	B 2258, R2 2280, I 2295	AGV-16-32	Byth	Mk II	B 2276, D 2292
AGV-16-11	Jhessi	Mk I	B 2258, R2 2276, S 2291	AGV-16-33	Shrahral	Mk II	B 2277, I 2296
AGV-16-12	Taorherh	Mk I	B 2259, R2 2283, I 2302	AGV-16-34	Taanos	Mk II	B 2278, I 2295
AGV-16-13	Sahraab	Mk I	B 2259, R2 2277, I 2293	AGV-16-35	Pollo	Mk II	B 2279, I 2296
AGV-16-14	Atyvaan	Mk I	B 2260, R2 2282, I 2297	AGV-16-36	Solith	Mk II	B 2279, I 2297
AGV-16-15	Tyv	Mk I	B 2261, R2 2280, S 2295	AGV-16-37	Ziarrin	Mk II	B 2280, I 2295
AGV-16-16	Thratti	Mk I	B 2263, R2 2281, I 2298	AGV-16-38	Osissaass	Mk II	B 2281, I 2299
AGV-16-17	Rihrib	Mk I	B 2264, R2 2277, I 2294	AGV-16-39	Bahr	Mk II	B 2281, I 2298
AGV-16-18	Saroh	Mk I	B 2264, R2 2276, I 2292	AGV-16-40	Opymi	Mk II	B 2282, R3 2335, C 2374
AGV-16-19	Ovhothak	Mk I	B 2265, R2 2278, I 2294	AGV-16-41	Othaones	Mk II	B 2283, R3 2335, D 2370
AGV-16-20	Chinir	Mk I	B 2267, R2 2277, Sc 2295	AGV-16-42	Rothohr	Mk II	B 2284, R3 2336, D 2369
AGV-16-21	Thohr	Mk I	B 2268, R2 2284, I 2299	AGV-16-43	Shryhl	Mk II	B 2284, R3 2335, Sc 2371
AGV-16-22	Viahrot	Mk I	B 2269, R2 2281, D 2296	AGV-16-44	Araallorh	Mk II	B 2285, R3 2335, I 2371
				AGV-16-45	Th'zotrat	Mk II	B 2285, R3 2336, Sc 2371
				AGV-16-46	Zitrak	Mk II	B 2286, D 2306
				AGV-16-47	Obassin	Mk II	B 2286, R3 2337, I 2372
				AGV-16-48	Qirros	Mk II	B 2286, R3 2336, Sc 2376
				AGV-16-49	Eshroqeq	Mk II	B 2287, R3 2336, D 2374
				AGV-16-50	Qaolerh	Mk II	B 2287, R3 2336, Sc 2370
				AGV-16-51	Ethir	Mk II	B 2288, Sc 2305
				AGV-16-52	Ishyraath	Mk II	B 2288, R3 2336, Sc 2368
				AGV-16-53	Charhor	Mk II	B 2289, R3 2336, I 2370
				AGV-16-54	Vhaorhith	Mk II	B 2289, R3 2337, Sc 2375
				AGV-16-55	Th'vaalliq	Mk II	B 2290, R3 2337, C -2368
				AGV-16-56	Zonel	Mk II	B 2290, R3 2338, I 2376
				AGV-16-57	Vaosrith	Mk II	B 2291, R3 2338, I 2374
				AGV-16-58	Othelhaos	Mk II	B 2291, R3 2338, Sc 2371
				AGV-16-59	Rin	Mk II	B 2292, R3 2339, D 2373
				AGV-16-60	Shaotrith	Mk II	B 2293, R3 2338, I 2377

